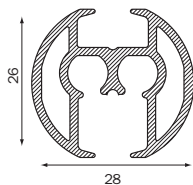


5100

profile

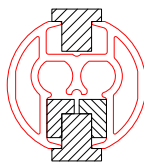
5100
522 gr/m



bending

radius filler position

R 15 (1015)
R 25 (1015)
R >100 (1018)

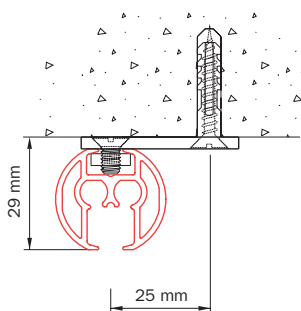


**L-shaped fillers
only for cord operated systems**

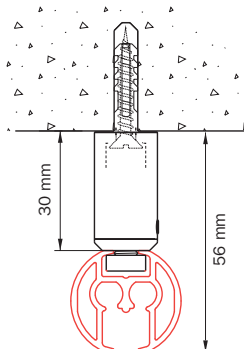
Mounting

ceiling and wall

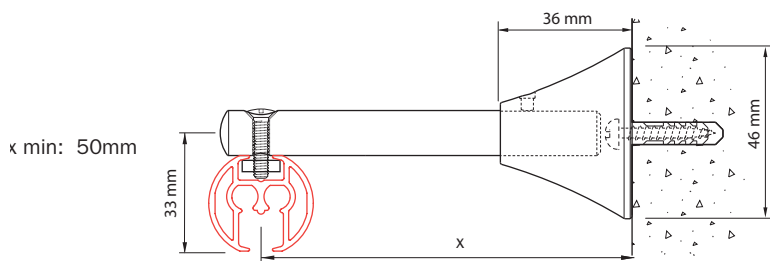
5100



ceiling mounting 5100 with ceiling support 5135



ceiling mounting 5100 with mini suspension hanger 4254

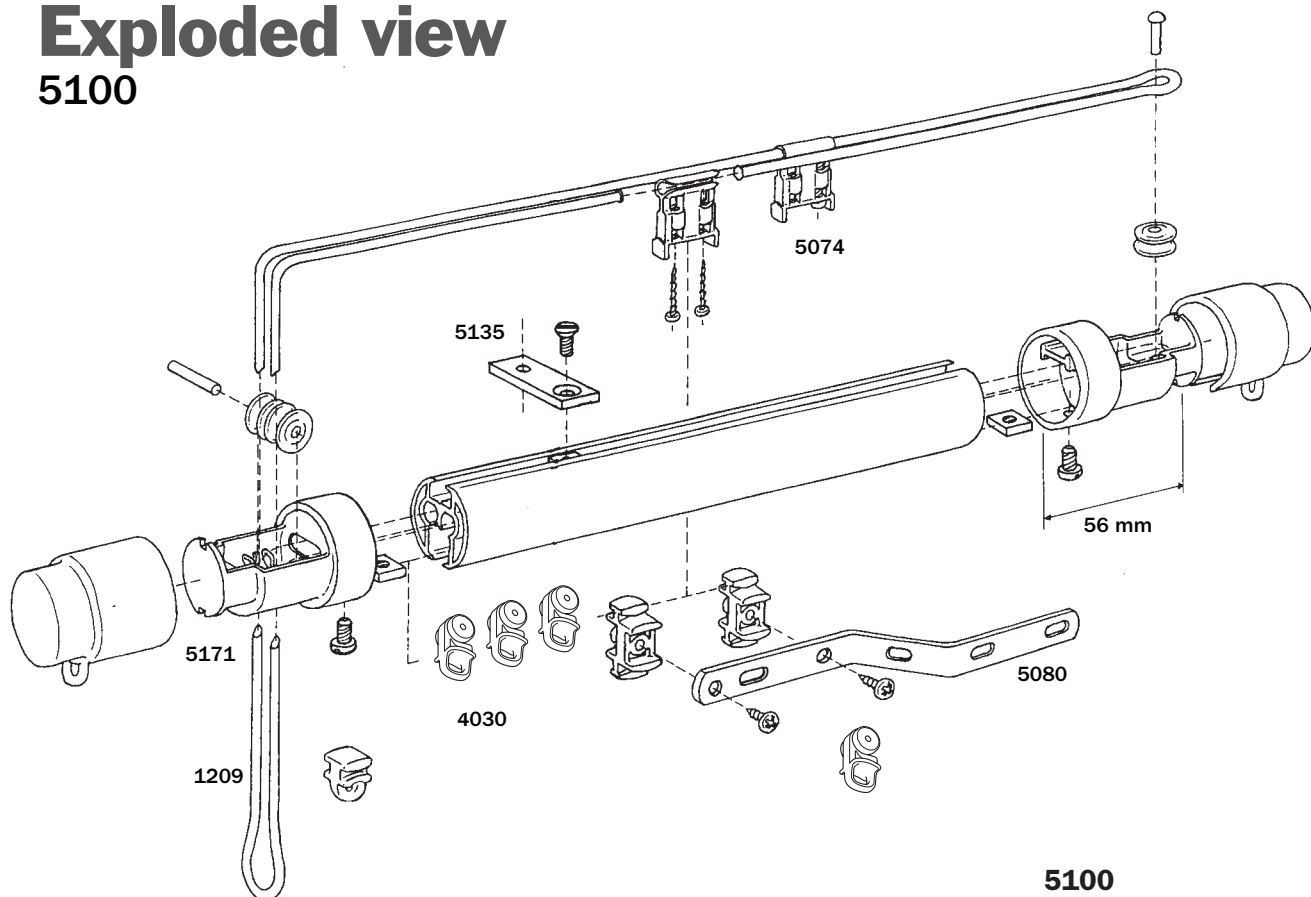


wall mounting 5100 with adaptable extension bracket 4217-101, bracket can be cut back to x=50mm.

	x (mm)	x min. (mm)
4217-101	100	50
4217-201	200	50
4217-202	200	50

Exploded view

5100



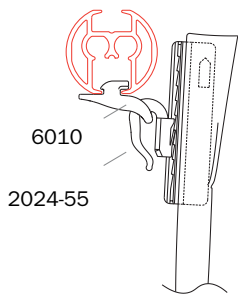
load table

(max. curtain weight in kg)

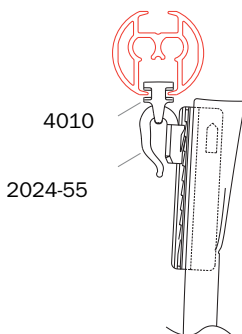
		5100
curves	Glider/roller	to 6 m
straight	4010, 4020, 4030	30
	6010	20
1 curve	4010, 4020, 4030	20
	6010	15
2 curves	4010, 4020, 4030	15
	6010	10

Application example

5100



heading with projection
glider 6010



without heading with
glider 4010

Thanks to the projection of glider 6010, a heading can be created in a round rail without the rail pushing it outward.

G-Standard

5100

