



**GOELST**<sup>®</sup>  
INTERIOR PRODUCTS

**Roman Blind System RB30**  
A new standard for Roman blinds



**GOELST**<sup>®</sup>  
INTERIOR PRODUCTS

Crimple Court  
Hornbeam Park  
Harrogate  
North Yorkshire  
HG2 8PB

Tel: +44 (0)1423 873002  
Fax: +44 (0)1423 874006  
[www.goelstuk.com](http://www.goelstuk.com)





## Roman Blind System **RB30**

A new standard for Roman blinds

The RB30 Roman Blind system has been developed with the emphasis on design, quality and functionality, to create a system that suits the needs of the manufacturer, installer and end-user.

**Efficient and flexible manufacturing**  
The system is designed for efficient manufacture of the head rail without the need for special, high cost tools.

**Operating system to suit every requirement**  
The blind can be operated either by ball chain, cord or electric motor.

The smoothness of the endless cord operation compliments the softness of the fabric itself and is the hallmark of a high quality product.

**Motorised for convenience**  
With the option of electric control operating the blinds becomes even more convenient and user-friendly.

Total control flexibility can be achieved by choosing the new motorised solution combined with a remote control.

**Fabric removes easily for cleaning**  
The user-friendly, click-in fixing system for the cord enables the fabric to be easily removed for cleaning purposes or a change of fabric. The cords can then be neatly secured before washing so they are simply re-fitted.

**Flexible installation**  
Fitting the new Roman blind system is easy, irrespective of the type of installation, due to the design of the simple clip fixing system. The head rail just clicks straight onto the ceiling clip or you can choose a face fix solution with the clip fitted directly to the wall bracket.

## Roman Blind System **RB30**

Modular and simple design

A benefit of the modular design is the ability to change the operation from one side of the blind to the other while on site. In addition, the design allows the switch from ball chain to cord control in seconds.

**Convenient smooth operation**  
The choice of gears ensures fast and smooth operation of both lighter and heavier blinds taking into account a wide range of fabrics.

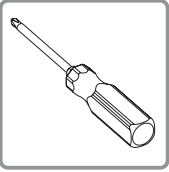
**Easy adjustment of lifting cords**  
Time consuming service visits can be further reduced thanks to the clip to adjust the lifting cords. The cords are held firmly in position and their length can easily be adjusted. The clip can also go in the wash.

**Appealing elegant design**  
The attractive, well-designed head rail conceals all the technical hardware from view. It blends perfectly with the window completely hiding brackets and fixing clip behind the fabric.

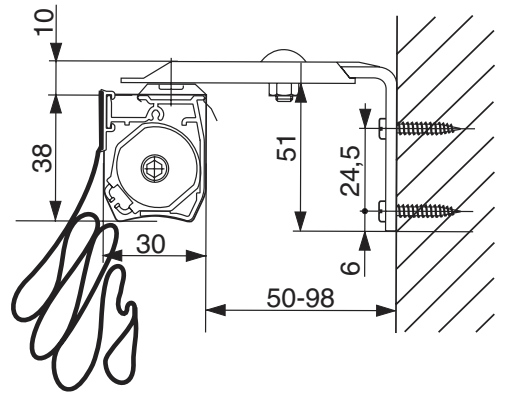
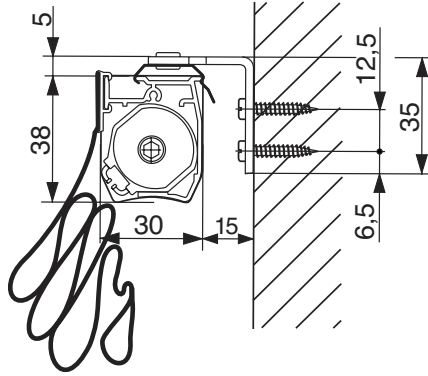
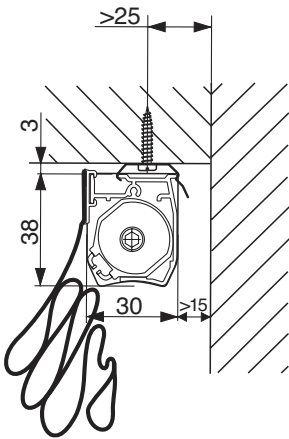
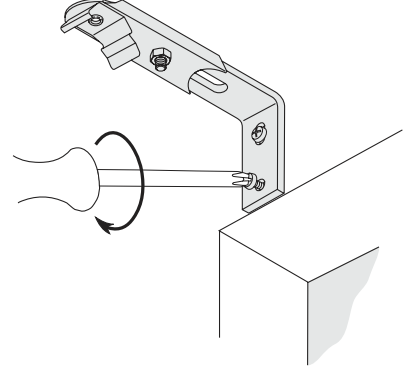
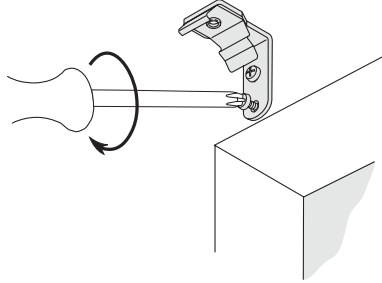
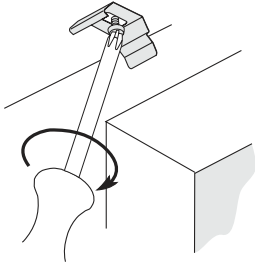
**Control options**  
Ball chain ( Metal or Plastic )  
Endless cord  
Motor

**Colours**  
White  
Anodised

**Dimensions**  
Min. width 240 mm  
557 mm (motor)  
Max. width 3000 mm  
Max. drop 3000 mm  
Max. weight 1.8 kg (1:1 gear)  
5.0 kg (1:3.5 gear)  
3.0 kg (motor)



1



	<p>250 - 1199</p>	<p>1200 - 2399</p>	<p>2400 - 3000</p>
	<p>2</p>	<p>3</p>	<p>4</p>